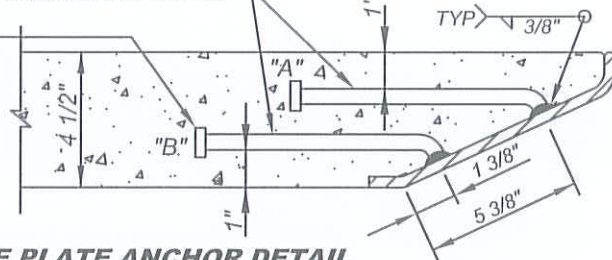
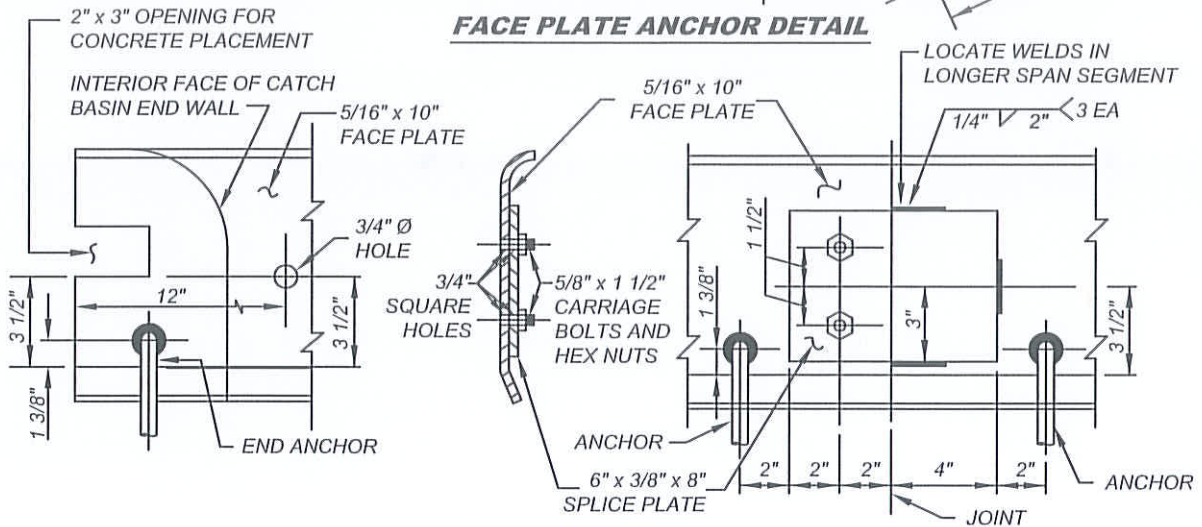


1/2" Ø x 8" STEEL ANCHORS, 15" MAX OC,
ALTERNATE UPPER "A" AND LOWER "B"
ANCHORS AS SHOWN

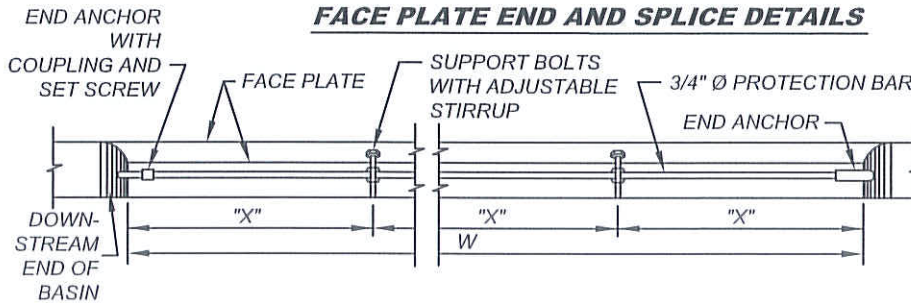
NELSON H-4F SHEAR
CONNECTOR, KSN WELDING
SYSTEMS DIVISION SHEAR
CONNECTOR OR EQUAL



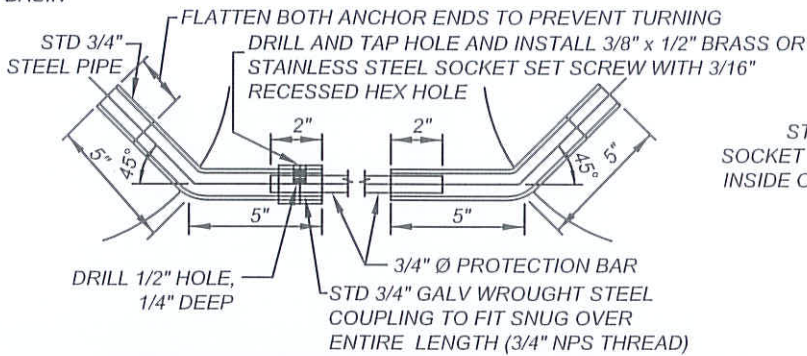
FACE PLATE ANCHOR DETAIL



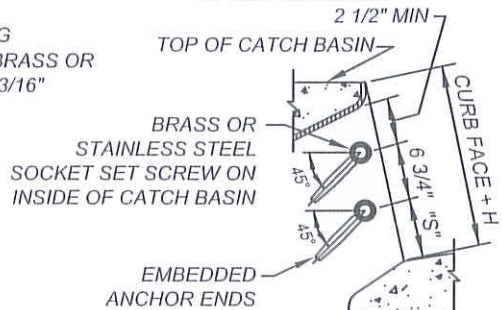
FACE PLATE END AND SPLICE DETAILS



| W | NUMBER OF BOLTS | NUMBER OF "X" LENGTHS |
|------------|-----------------|-----------------------|
| 7' TO 10' | 1 | 2 |
| 10' TO 15' | 2 | 3 |
| 15' TO 20' | 3 | 4 |
| 20' TO 25' | 4 | 5 |
| 25' TO 30' | 5 | 6 |

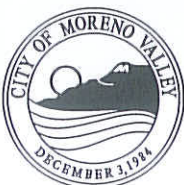




PROTECTION BAR AND END ANCHOR DETAILS



SECTION VIEW

NOT TO SCALE



RECOMMENDED:
 1/21/14
 DIVISION MANAGER DATE
 APPROVED:
 1/29/14
 PUBLIC WORKS DIRECTOR DATE
 CITY ENGINEER

CITY OF MORENO VALLEY
 PUBLIC WORKS DEPARTMENT - CAPITAL PROJECTS DIVISION

**CATCH BASIN FACE PLATE AND
 PROTECTION BAR DETAIL**

STANDARD PLAN
MVFE-300D-0
 SHEET 4 OF 6