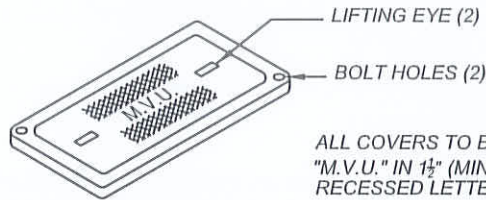


MORENO VALLEY STANDARD NO. MVEU-719-0

17" x 30" x 24"

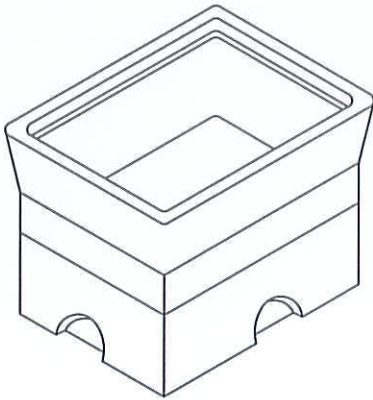
SERVICE CONNECTION PULL BOX

(FOR RESIDENTIAL ELECTRICAL SYSTEMS)

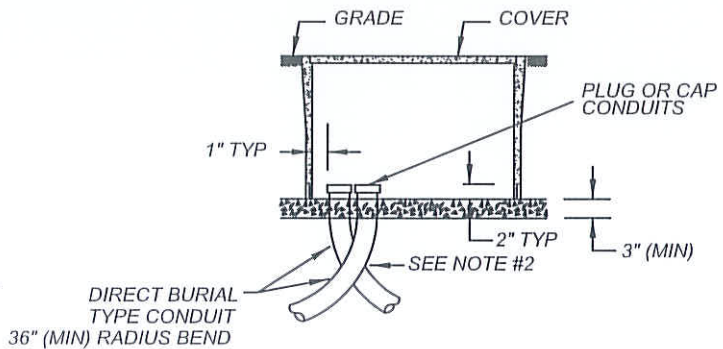


ALL COVERS TO BE IDENTIFIED WITH "M.V.U." IN 1½" (MIN) BLOCK RECESSED LETTERS.

TYPICAL COVER
(CONCRETE OR PLASTIC)



TYPICAL ASSEMBLY WITHOUT COVER
(CONCRETE OR PLASTIC)



SECTION A-A

ALL CONDUITS




CONDUIT LOCATIONS

NOTES:

1. RADIUS ANGLE MAY BE REDUCED TO LESS THAN 90° PROVIDING THE PROJECTED CENTER LINE OF THE CONDUIT CLEARS HANDHOLE OPENING.
2. TWO HOLD DOWN DEVICES TO BE SUPPLIED WITH EACH HANDHOLE.

NOT TO SCALE

	RECOMMENDED: <i>[Signature]</i> 1-15-14 DIVISION MANAGER DATE	CITY OF MORENO VALLEY PUBLIC WORKS DEPARTMENT - ELECTRIC UTILITY DIVISION 17" x 30" x 24" PULL BOX FOR SERVICE CONNECTION	STANDARD PLAN MVEU-719-0
	APPROVED: <i>[Signature]</i> 1/29/14 PUBLIC WORKS DIRECTOR / DATE CITY ENGINEER		SHEET 1 OF 1