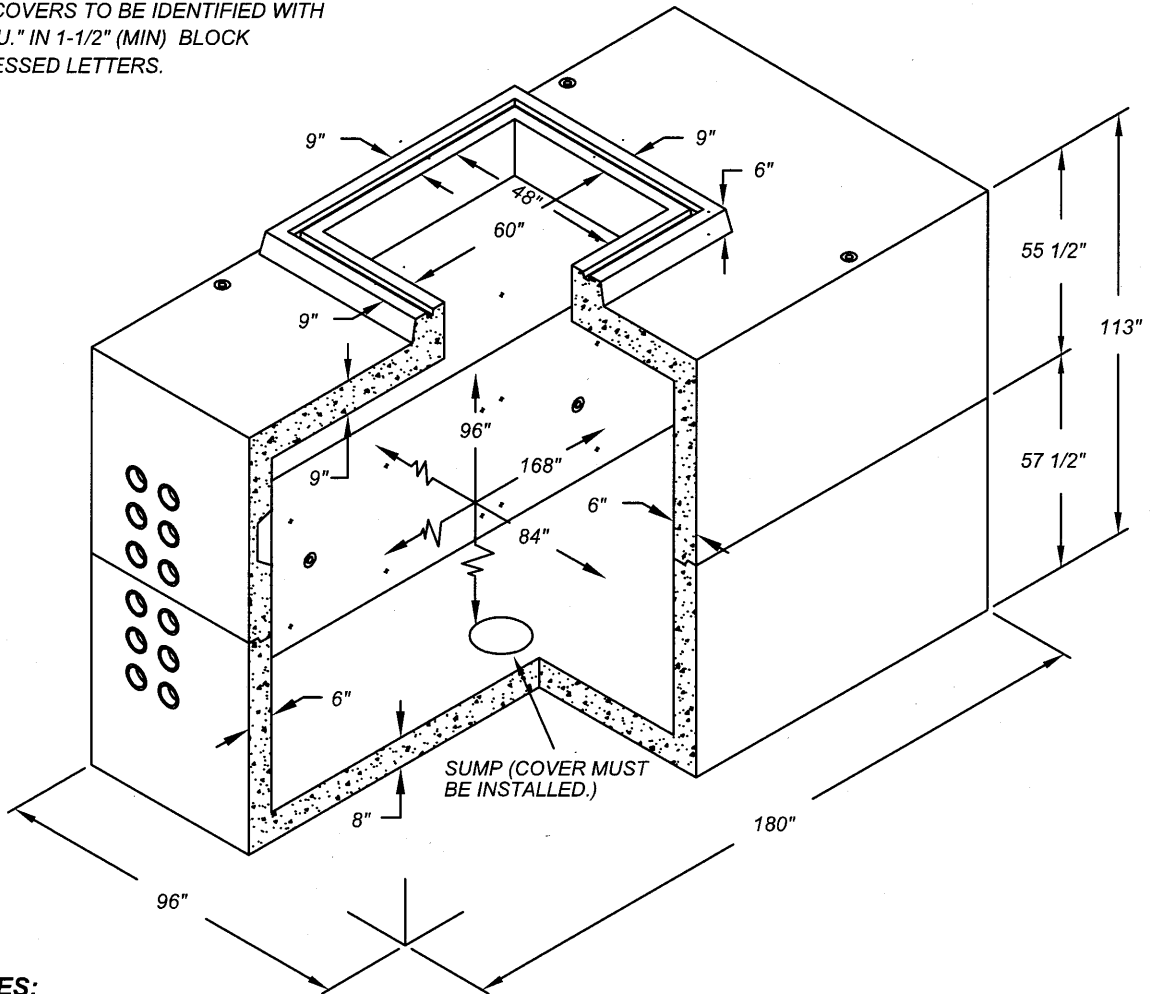


MORENO VALLEY STANDARD No MVEU-730A-0

PRECAST VAULT ENCLOSURE

7' x 14' x 8'

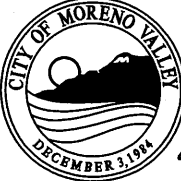

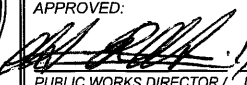
ALL COVERS TO BE IDENTIFIED WITH
"M.V.U." IN 1-1/2" (MIN) BLOCK
RECESSED LETTERS.



NOTES:

- 1.) VAULT DESIGNED IN ACCORDANCE WITH AASHTO H-20-44 TRAFFIC BRIDGE LOAD USING 5,500 PSI COMPRESSIVE STRENGTH CONCRETE AND 60,000 PSI YIELD STRENGTH ASTM 1-706 STEEL REINFORCEMENT.
- 2.) VAULT TO BE PLACED ON A MIN 6" BASE OF CRUSHER RUN FOR EASE OF INSTALLATION AND EVEN LOAD DISTRIBUTION.
- 3.) LIMIT OF COVER OVER ROOF SECTION IS 1'-6" TO 4'-0".
- 4.) LIMIT OF EMBEDMENT OF BOTTOM SECTION IS 10'-8" TO 13'-2".
- 5.) ALL WALLS AND CEILINGS TO BE PAINTED WITH WHITE PAINT.
- 6.) STEEL LADDER TO BE SUPPLIED WITH EACH VAULT.
- 7.) ADJUST TO GRADE WITH GRADE RINGS.
- 8.) ENCLOSURE TO BE INSTALLED WITH PRIMARY GROUND ASSEMBLY.
- 9.) ENCLOSURE TO BE INSTALLED WITH CABLE RACK ASSEMBLY.
- 10.) 13" DIA x 12" DIA SUMP x 4-1/2" DEEP WITH COVER, LOCATE AS FOLLOWS: BOTTOM OF SECTION (1) CORE MTD.
- 11.) PRIMARY GROUND TO BE #4 /O BC AND ATTACHED TO ALL GROUND INSERTS.

NOT TO SCALE

	RECOMMENDED:  12-27-16 DIVISION MANAGER DATE	<h2 style="margin: 0;">CITY OF MORENO VALLEY</h2> <p style="margin: 0;">PUBLIC WORKS DEPARTMENT - ELECTRIC UTILITY DIVISION</p>	STANDARD PLAN <h3 style="margin: 0;">MVEU-730A-0</h3>
	APPROVED:  1/20/17 PUBLIC WORKS DIRECTOR / DATE CITY ENGINEER	<h3 style="margin: 0;">VAULT</h3> <h3 style="margin: 0;">7' x 14' x 8'</h3>	SHEET 1 OF 3